

- 1
- 2
- 3
- 4
- 5
- 6
- 7
- 8
- 9
- 10
- 11
- 12
- 13
- 14
- 15
- 16
- 17
- 18

**MATERIAL**

Black-oxide steel, class 5.8 (tensile strength 500 N/mm<sup>2</sup>), hexagon socket head.

**FEATURES AND APPLICATIONS**

GN 632.1 grub screws can be used to realise different locking systems. On irregular or non-parallel surfaces, we suggest to couple them with technopolymer thrust pads GN 631 (see page 986) which allow the locking preventing the rotating movement of the screw from being exerted directly on the piece to be locked, protecting it from possible scratches.

Levers, knobs or other handles can be also fitted to the threaded end by means of pins.

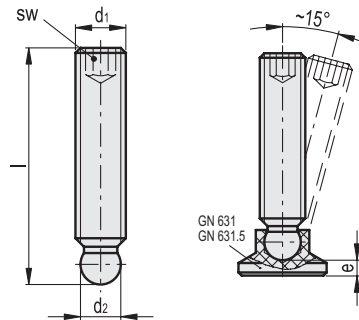
Diameter "d1" of the ball is smaller than diameter "d" of the screw, which allows the screwing from the spherical side.

**SPECIAL EXECUTIONS ON REQUEST**

Different threadings and lengths.



Conversion Table	
1 mm = 0.039 inch	
mm	inch
30	1.18
40	1.57
50	1.97
63	2.48
80	3.15
100	3.94



METRIC

Code	Description	d1	d2	l	sw	d1-e*	d1-e*	d1-e*	d1-e*	d1-e*	d1-e*	△
GN.12203	GN 632.1-M6-30	M6	4.5+0.05	30	3	15-3.6	18-5.2	21-6	25-6.5	32-7	-	5
GN.12205	GN 632.1-M6-40	M6	4.5+0.05	40	3	15-3.6	18-5.2	21-6	25-6.5	32-7	-	8
GN.12207	GN 632.1-M6-50	M6	4.5+0.05	50	3	15-3.6	18-5.2	21-6	25-6.5	32-7	-	10
GN.12213	GN 632.1-M8-40	M8	6.1+0.05	40	4	15-2.5	18-4.2	21-5	25-5.5	32-6	40-8	12
GN.12215	GN 632.1-M8-50	M8	6.1+0.05	50	4	15-2.5	18-4.2	21-5	25-5.5	32-6	40-8	15
GN.12217	GN 632.1-M8-63	M8	6.1+0.05	63	4	15-2.5	18-4.2	21-5	25-5.5	32-6	40-8	19
GN.12223	GN 632.1-M10-50	M10	7.8+0.05	50	5	18-3.8	21-4.3	25-4.6	32-5	40-7	-	22
GN.12225	GN 632.1-M10-63	M10	7.8+0.05	63	5	18-3.8	21-4.3	25-4.6	32-5	40-7	-	29
GN.12227	GN 632.1-M10-80	M10	7.8+0.05	80	5	18-3.8	21-4.3	25-4.6	32-5	40-7	-	37
GN.12233	GN 632.1-M12-63	M12	9.4+0.05	63	6	21-3.4	25-3.6	32-4.2	40-6.2	-	-	41
GN.12235	GN 632.1-M12-80	M12	9.4+0.05	80	6	21-3.4	25-3.6	32-4.2	40-6.2	-	-	53
GN.12237	GN 632.1-M12-100	M12	9.4+0.05	100	6	21-3.4	25-3.6	32-4.2	40-6.2	-	-	68

\* The values refer to GN 631 and GN 631.5